

MCKB series $\phi 32$

LEVER CLAMP CYLINDER



Order example:

MCKB — 32(M) — BSP

MODEL

TUBE I.D.

M: Magnet

PORT THREAD

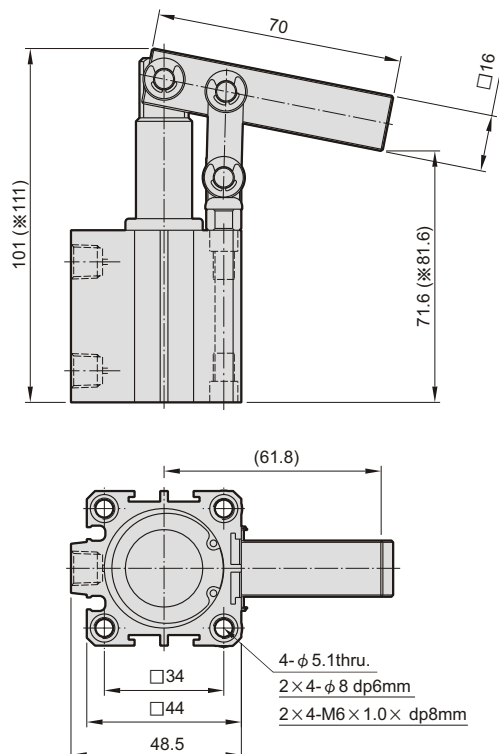
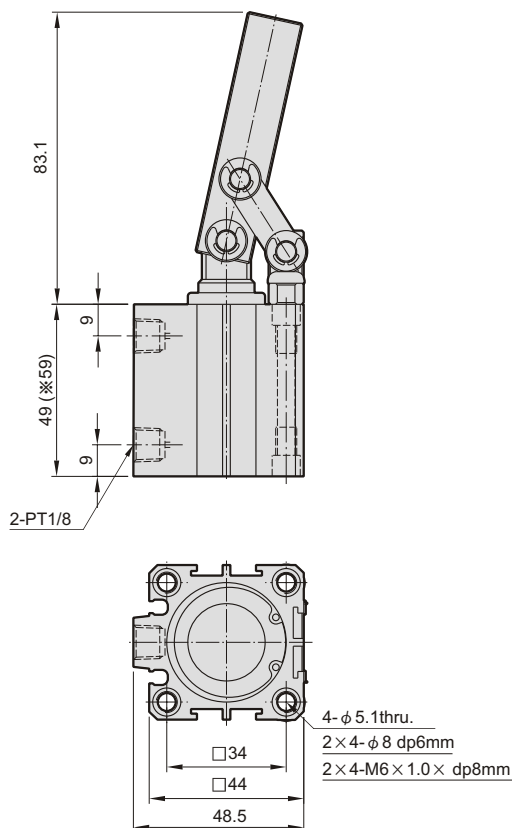
Blank: PT thread
BSP: BSP thread
NPT: NPT thread

Features:

- Lever-type air cylinder for grasp use. Compact and light design suitable for limited space application (ex. CNC machining tool).
- Four sides of sensor switch installation available. control is simplified.
- Components via precision machined, parts are exchangeable.
- Body is made of hard anodized AL., good wearance and long life

Specification:

Model	MCKB	
Acting type	Double acting	
Tube I.D. (mm)	32	
Port size Rc(PT)	PT 1/8	
Operating fluid	Air	
Operating pressure range	1~9.9 kgf/cm ²	
Proof pressure	15 kgf/cm ²	
Ambient temperature	-5~+60°C (No freezing)	
Lubrication	Cylinder	Not required
	Lever	Grease
Sensor switch	RCB, RCE, RCE1	



※: Dimension for with magnet